



In general, for large quantities, the smaller the filter size, the lower the cost. Manufactured filter sizes range from 2mm square to ~50mm diameter, all prices available on request. However, for one-off quantities, our cheapest option is our standard mounted filter.

STANDARD HOLDERS

- Size: 25mm Diameter (nominal) x 2.5 - 7mm thick (nominal)
- Discounts applicable for quantities of 3+
- Prices on request for different bandwidths or tolerances

BAND PASS FILTERS (5-7mm thick)

Type	Spectral Region (µm)	Clear Aperture (mm)	Price Each (GBP, £)
Band Pass Bandwidth 10% +/- 2% CWL tol +/- 2%	~2 to 1.99	21	Request
	2 to 4.99	21	180
	5 to 6.99	21	215
	7 to 11.99	21	310
	12 to 20	21	Request
Narrow Band (type 1) Bandwidth 4 - 5% CWL tol +/- 0.75%	~2 to 1.99	21	Request
	2 to 4.99	21	190
	5 to 6.99	21	230
	7 to 11.99	21	340
	12 to 20	21	Request
Special Purpose Narrow Band (type 1) Bandwidth 4 - 5% CWL tol +/- 0.05µm	1.94 (Water Vapour)	21	140
	2.70 (Carbon Dioxide)	21	140
	2.95 (Water Vapour)	21	140
	3.46 (Hydrocarbons)	21	140
	4.26 (Carbon Dioxide)	21	140
	4.70 (Carbon Monoxide)	21	140
	10.60 (Carbon Dioxide)	21	290
Narrow Band (type 2) Bandwidth approx 2% CWL tol +/- 0.5%	~2 to 1.99	21	Request
	2 to 4.99	21	230
	5 to 6.99	21	250
	7 to 11.99	21	395
	12 to 20	21	Request

Email: sales@noc-ltd.com

Tel: +44 (0) 191 5374888

Fax: +44 (0) 191 5374777

Northumbria Optical
Coatings Limited

10 Burford Way,
Boldon Business Park,
Boldon,
Tyne and Wear,
NE35 9PZ,
United Kingdom.

SEMICONDUCTOR BLOCKING FILTERS (2.5-3.0mm thick)

Material	Edge Position (µm)	Clear Aperture (mm)	Price Each (GBP, £)
Gallium Arsenide	0.90	18	220
Silicon	1.05	21	60
Germanium	1.70	21	75
Indium Arsenide	3.60	13	320

LONG AND SHORT WAVE PASS FILTERS (5-7mm thick)

	Spectral Region (µm)	Clear Aperture (mm)	Price Each (GBP, £)
Edge Position between 1 and 20µm Edge tol +/- 4%	~1.3 to 1.99	21	Request
	2 to 4.99	21	140
	5 to 6.99	21	150
	7 to 11.99	21	230
	12 to 20	21	Request



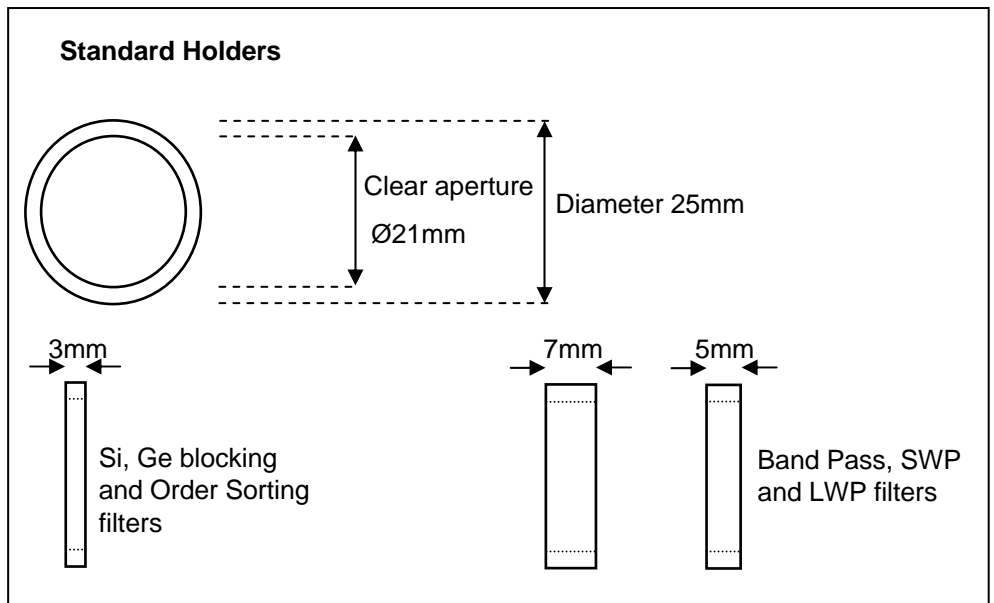


ORDER SORTING FILTERS (3mm thick)

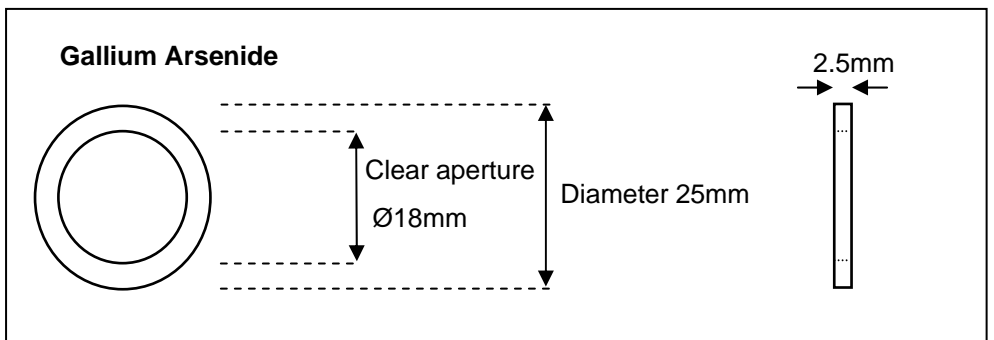
	Spectral Range (µm)	Clear Aperture (mm)	Price Each (GBP, £)
OS1250	1.25 to 2.00	21	60
OS2000	2.00 to 4.00	21	190
OS3600	3.60 to 6.50	21	200
OS6000	6.00 to 10.50	21	220
OS10500	10.50 to 18.00	21	320
OS17000	17.00 to 22.00	21	420

NOMINAL HOLDER DIMENSIONS

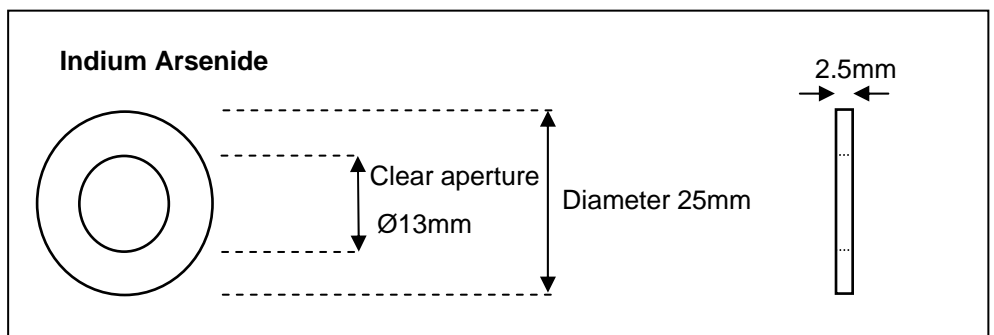
Standard Holders



Gallium Arsenide



Indium Arsenide



Email: sales@noc-ltd.com

Tel: +44 (0) 191 5374888

Fax: +44 (0) 191 5374777

Northumbria Optical Coatings Limited

10 Burford Way,
Boldon Business Park,
Boldon,
Tyne and Wear,
NE35 9PZ,
United Kingdom.

